




VR STRIPS

Sealing strips for insulating vertically sash windows against cold, drafts, and noise. Smart and valuable insulation with VR Strips.

Content

2 frame strips 
2 window strips 
2 O-profiles, 10 mm and 6 mm 
Torx 6 mounting screws
(per set for one window)
1 Torx bit size 6
VR Finish

Tools

1 router
1 cutting knife or small saw
optional: 3mm groove saw
clean cloth
(not included)

application

VR Strips are designed for a window thickness starting from 36mm, but they can already be applied if a groove of 10x12mm can be made on the sides of the sash window that does not obstruct anything else. This allows them to be used in some cases with thinner wood.

This technique is suitable for both sash windows with counterweights and systems with balance springs.

VR Strips are designed to absorb any play in the (old) window. The window can therefore be slightly warped, slanted, or twisted. A difference of about 5mm in any direction is acceptable. Larger deviations may reduce the insulation value and make sashing more difficult.

This is a general guide. Each restored window is unique, so use your own judgment and experience when applying the VR Strips.

More cross-sections, detailed information, variations, and specific applications are maintained at www.vanruysdael.com.

No rights can be derived from this manual.

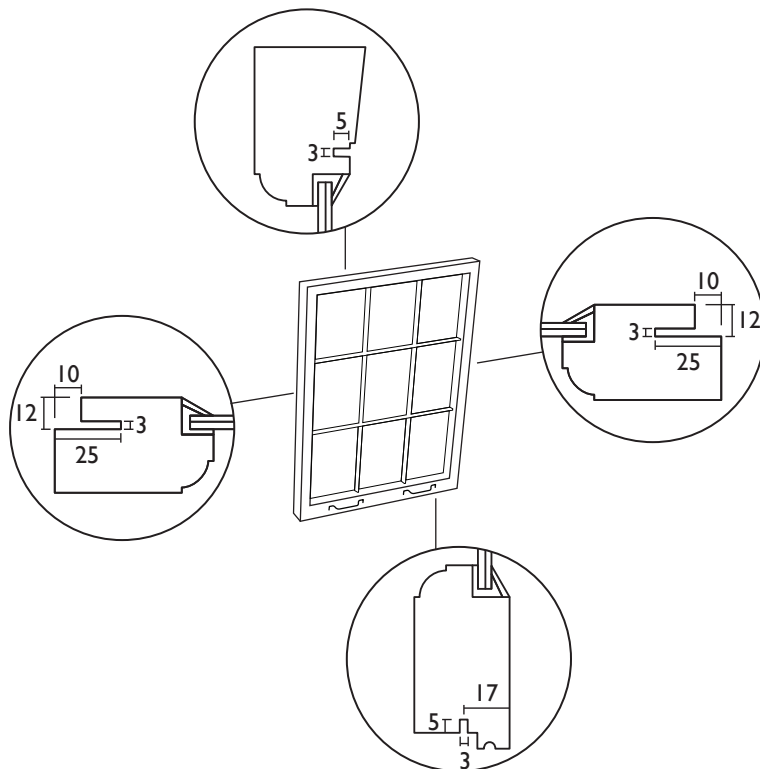
HappyLift BV

Kadijk 16 | 8531 XD Lemmer | The Netherlands
www.happylift.nl | sales@happylift.nl

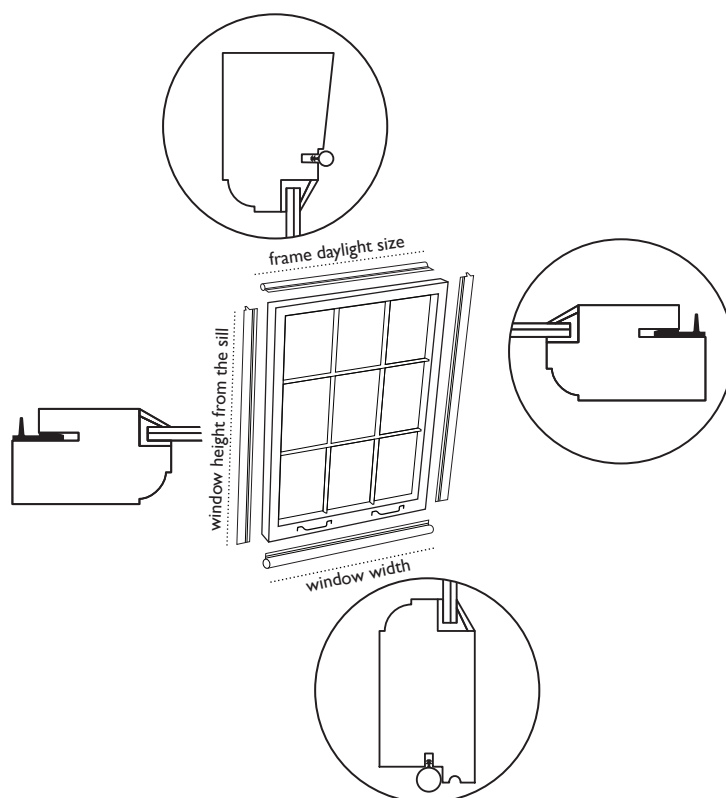
VR STRIPS

1 Carefully disconnect the balancing system and remove the sash window from the frame.

2 Route rebates in the sash window on the left/right and top/bottom, creating a groove across the entire width.

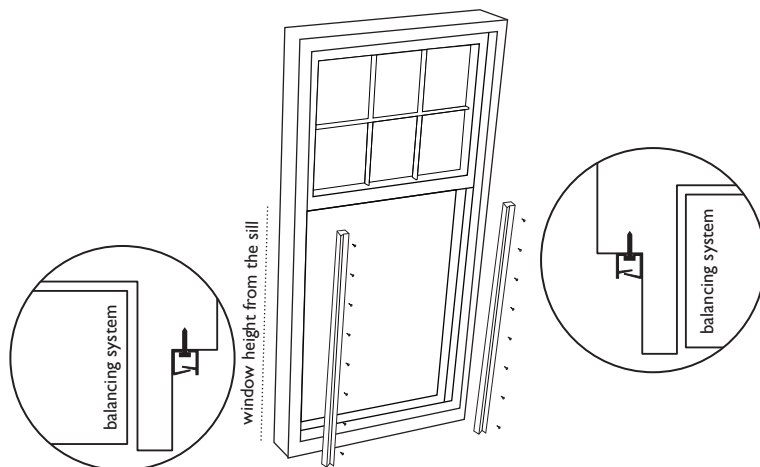


3 Cut the window strips on the left and right to the correct height, trim the O-profiles at the top (small) and bottom (large) to the correct width and press them into the rebates of the sash window.

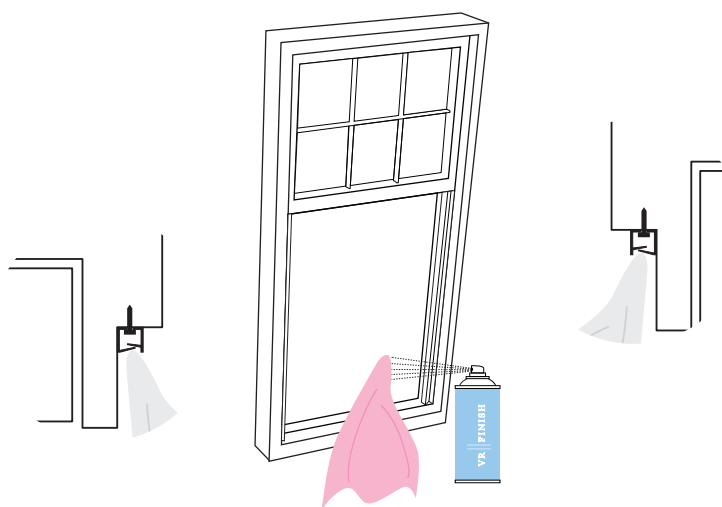


VR STRIPS

- 4** Cut the frame strips to this height measurement and screw them into the corners of the frame on the left and right, at the bottom up to the sill, using the appropriate Torx 6 bit.



- 5** Dampen a clean cloth with VR Finish or silicone spray and wipe the frame profiles with it. Be careful not to touch the woodwork, as it may affect the adhesion of the paint.



- 6** Carefully place the sash window back into the frame, ensuring that the window profiles fit into the frame profiles, and reconnect the balancing system.

